

BISTRO SET - ALUMINUM FURNITURE

Classic style in durable aluminum

A stylishly compact table with two chairs brings outdoor elegance to smaller spaces. The classic feel of durable cast aluminum furniture specifically designed for condo or town home living.

Bistro Set Features

- Powder coated aluminum elegance with beautiful Dora finish
- Dense and Durable resin wicker
- English Granite top for tables and cart
- Perfect size for condos
- Fits and area as small as 4' x 8'
- 2 year warranty on Stone Tops
- 3 year warranty on frame and resin



NOTE: Printing color may vary slightly from actual product.

Bistro Set

MODEL	MODEL #	HEIGHT	WIDTH	DEPTH
Bistro 36" Cabinet w/British Granite Top and Black Glass Doors	PBC-GRGD-K	32"	36"	23"
30"Round Bistro Table w/English Granite Top	PBT-GR	28.5"	30" Dia.	NA
Resin Wicker Chairs (2)	PBCH	33.25"	23.5"	24.5"

Cast aluminum is a classic, beautiful way to spice up your outdoor living room.



CAMPFIRE SERIES

BLACK GLASS TABLE

Brings new meaning to the word campfire

A beautiful table to sit around with your family and friends and enjoy your outdoor living space. Both versatile and stylish, it is a table and campfire all wrapped into one very attractive piece of furniture. Comes with beautiful *Crystal Fire Center*. Designed for the ultimate in form and function, this campfire table is a must for any Outdoor GreatRoom®.

Black Glass Table Features

- Outdoor Powder Coated Aluminum Frame that won't rust or corrode
- Crystal Fire - center burning unit
- Includes black glass campfire cover for table when fire pit not in use
- Black glass top easily cleaned.
- LP Tank stores in optional tank cover table
- Can operate on LP or NG (conversion kit available)
- Great as a Coffee Table or Outdoor Campfire...your choice
- 1 year warranty on frame
- 1 year warranty on Crystal Fire



Black Glass Table, Tuscany Pergola and Kate Collection Wicker



NOTE: Printing color may vary slightly from actual product.

Black Glass Table

DESCRIPTION	MODEL #	HEIGHT	WIDTH	DEPTH	WEIGHT
Black Glass Table	GLASS42	20.3"	42.1"	42.1"	45 LBS
LP/NG Crystal Fire, SS Fire Pit w/ tumbled glass and electronic piezo	CF-20-LP	6"	21"	21"	15 LBS
Optional Side Table/Tank Cover	CFP42-TC GLASS	21"	19"	19"	28 LBS
Optional Ice Bucket for Table Center	CFP42-K5	11"	22"	22"	3 LBS



Optional side table/tank cover

Long Island Pool & Patio
 543 Middle Country Road Coram, NY 11727
 631-698-4100 phone 631-698-4111 fax
 info@LIPoolandPatio.com www.LIPoolandPatio.com





CABANA WICKER COLLECTION

2 unique looks — 1 beautiful style

A classic furniture style that adds beauty and comfort to your backyard. The Cabana Collection comes in 2 wicker colors: antique black and cedar. Each comes in our attractive standard fabric that compliments both the dark and light wicker. Or you can choose from our line of 160 beautiful custom cushion fabrics.

Make your backyard living space special and cozy with a style that suits you. Sit back and relax in comfort on your beautiful outdoor wicker today.

Cabana Collection Features

- 4 pieces: Loveseat, 2 Chairs and End-table
- Choose antique black or cedar color
- Comes in standard fabric: Leticia Stripe Night Grade A Fabric
- Hand-woven strong resin wicker
- Outdoor rated cushions available in over 160 fabric patterns
- Powder-coated steel frame
- Solid seating
- Available with or without cushions



Top Photo: Cabana Collection (cedar color) – resin wicker furniture comes with set of 2 chairs, end- table and loveseat. Comes in our standard fabric.

Middle Photo: Cabana Collection loveseat (cedar color).

Bottom Photo: Cabana Collection (antique black color)– resin wicker furniture comes with set of 2 chairs, end- table and loveseat. Comes in our standard fabric.

NOTE: Printing color may vary slightly from actual product.

Cabana Collection

MODEL	ITEMS	WEIGHT	WIDTH	DEPTH	HEIGHT
CABANA-SET-AB-WC-K Cabana set in antique black wicker with 4" blown fibertufted cushions in Leticia Stripe Night Grade A Fabric	Chair	71 lbs	30.5"	28.5"	38"
	Loveseat	93 lbs	54"	28.5"	38"
	End Table	40 lbs	20"	20"	20"
MODEL	ITEMS	WEIGHT	WIDTH	DEPTH	HEIGHT
CABANA-SET-C-WC-K Cabana set in cedar wicker with 4" blown fiber tufted cushions in Leticia Stripe Night Grade A Fabric	Chair	71 lbs	30.5"	28.5"	38"
	Loveseat	93 lbs	54"	28.5"	38"
	End Table	40 lbs	20"	20"	20"





The Versatile Campfire

Gather round the fire with family and friends

Choose from our attractive line of campfires that you can mix and match in any outdoor setting. We have both tables and traditional looking campfires to suit any style. And you can change the look of your campfire by adding an optional logset. We have the campfire style that's right for you.

A beautiful glowing fire to enjoy year round

With our easy-to-install crystal fire kit, you can have a beautiful glowing fire within minutes. Change the look of your fire by adding a realistic logset right on top of your Crystal Fire.



Naples Coffee Table (NAPLES-CT)



Sierra Coffee Table (SIERRA-CF)



San Juan Coffee Table (SANJUAN-CF)



Tripod Campfire (CFT-POD-K)



Black Glass Table (GLASS42)



Granite Chat Table (CFP42-K)



Close up of Crystal Fire

Logset Campfires

These log only campfires have realistic looking log center pieces and a beautiful glowing fire.



SanteFe Campfire (SANTAFE-361)



Taos Campfire (PCFM)

OPTIONAL LOGSET



Add a realistic looking logset to your Crystal Fire for a rustic campfire look.





CHAT COLLECTION

Relax in comfort and style

Take your backyard, patio or balcony to the next level with our contemporary Chat Collection. The padded rockers are so comfortable that your guests will want to stay all night! Wow them further with the majestic flame from our glass fire pit. The Chat Collection is the perfect way to entertain in style.



NOTE: Printing color may vary slightly from actual product.

Chat Collection Features

- Elegant frame from heavy duty aluminum
- Granite table top and center swivel
- Padded chat chairs
- Side table can hold center swivel granite piece
- Optional side table holds LP tank
- Fire pit produces 60,000 BTUs
- Fire sits atop beautiful tumbled glass
- Electronic ignition

Chat Collection Specifications

DESCRIPTION	MODEL #	HEIGHT	WIDTH	DEPTH	WEIGHT
Chat Fire Pit Table	CFP42-K	20"	-	42"	186 LBS
Chat Rocking Chairs 2 per box	CFP42-RCH	16"	29"	33"	55 LBS
Sun Lounger Side Table	8008W	17"	-	22"	10 LBS
Side Table and LP Tank Cover	CFPP42-TC	22"	-	21"	58 LBS





grill series

THE COOK NUMBER CNG-TRAVELER

At last, a gas grill portable to take to any event

From the stadium to campsites—RVs to boat docks— just fire it up and our patented technology produces all the heat you need to grill, sear, roast or bake. Mini-size. Mega performance. Pays for itself —fast! Your high-efficiency Fire Stone Gas Cook Number Grill costs pennies an hour to use. Compare that to as much \$1.50-\$3.00 an hour for conventional 30,000-60,000 BTU gas grills.

Cook Number CNG-Traveler Grill Features

- 8,000 BTU—Quickly reaches temperatures up to 500F for searing
- Exclusive built-in monitoring system tells you when your food is perfectly done
- Portable and lightweight. Just 19" x 21" and only 36 lbs.
- Operates anywhere, from the campsite to the tailgate
- Operates on a standard 1 lb. portable LP gas tank (3 hrs. per tank)
- Grease drawer and disposable aluminum tray slide out from the side of grill for easy cleaning
- Durable, attractive black porcelain finish

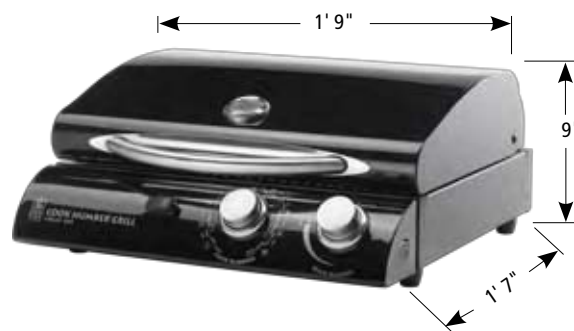


NOTE: Printing color may vary slightly from actual product.

- 250 square inch cooking surface
- Optional grill carts available

Cook Number CNG-Traveler Specifications

GRILL MODEL	HEIGHT	WIDTH	DEPTH	WEIGHT	BTUs	FUEL
CNG-TRAVELER	9"	21"	19"	36 lbs	8,000	LP

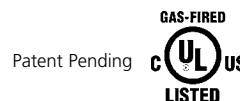


Dimensions above are in inches. Reference dimensions only. We recommend measuring individual units at installation. Refer to installation manual for detailed specifications on installing this product.

Green Grilling is Red-Hot! This grill will conserve energy but still cooks powerfully, delivering fabulous results.



Long Island Pool & Patio
543 Middle Country Road Coram, NY 11727
631-698-4100 phone 631-698-4111 fax
info@LIPoolandPatio.com www.LIPoolandPatio.com



CAMPFIRE SERIES

CRYSTAL FIRE

A small cozy fire that fits into many surrounds

Our hottest new Fire Stone fire pit. The Crystal Fire burning unit is made of tempered, tinted and high-temperature tumbled glass that the flames actually dance above! Choose from a variety of surrounds and furniture to create the ideal outdoor space to entertain or relax in style.

Crystal Fire Features

- Tinted, tempered and tumbled glass offers durability for outdoor use
- Choices for surrounds in different styles
- Options for Lazy Susan style cover
- Optional LP tank/side table
- Crystal Fire produces 60,000 BTUs
- Option to replace burning unit with ice bucket
- Gas on/off valve
- Available in LP or NG fuels
- 1 year warranty



Crystal Fire in Chat Table with granite top



Crystal Fire in 42" Glass Table



Crystal Fire in Naples Coffee Table

NOTE: Printing color may vary slightly from actual product.

Crystal Fire Specifications

DESCRIPTION	MODEL	HEIGHT	DIAMETER	WEIGHT
LP/NG Crystal Fire, SS Fire Pit w/ tumbled glass and electronic piezo	CF-20-LP	6"	21"	15 lbs

* See price list or website for all available surround options.



Optional side table/tank cover w/ English granite

Dimensions above are in inches. Reference dimensions only. We recommend measuring individual units at installation. Refer to installation manual for detailed specifications on installing this product.



Long Island Pool & Patio
 543 Middle Country Road Coram, NY 11727
 631-698-4100 phone 631-698-4111 fax
 info@LIPoolandPatio.com www.LIPoolandPatio.com

DECK RAIL FOLDING SHELF

Convenience—Style—Function — for small spaces

An attractive, portable shelf that fits right on the railing of your outdoor patio space. It's a table that folds to allow room when needed and a storage/work area within a minute's notice. It's the perfect place to put your grill or anything else you want! Conveniently designed for small outdoor spaces, our beautiful deck rail shelf fits almost any deck, patio or balcony railing and is the perfect space saver for apartments and condos.

Deck Rail Folding Shelf Features

- Folds for compact storage
- Antique bronze finish
- Designed to fit rails from 1/2 inch to 6 plus inches
- Perfect size for a condo or apartment
- Assemble in minutes
- Can be shipped via UPS



NOTE: Printing color may vary slightly from actual product.

Deck Rail Folding Shelf

MODEL	HEIGHT	WIDTH	DEPTH	WEIGHT
GS-RM	3"	37"	22"	15 lbs

It's easy!

Hooks on to the railing of your deck.



Dimensions above are in inches. Reference dimensions only. We recommend measuring individual units at installation. Refer to installation manual for detailed specifications on installing this product.

FURNITURE SERIES

EBONY & IVORY WICKER COLLECTION

Style & elegance with the comfort of wicker

This sturdy and high-quality wicker set will add a touch of elegance and style to your backyard setting. Created with an eye towards classic beauty and durability, we use only the finest wicker. This timeless furniture will give you years of outdoor entertaining pleasure.

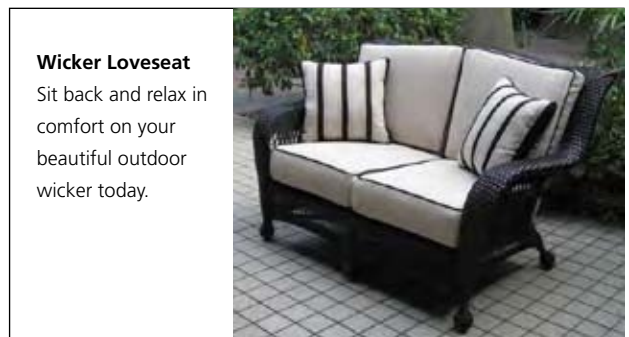


Ebony and Ivory Collection

MODEL	Model #	WEIGHT	WIDTH	DEPTH	HEIGHT
Chair - Stackable Collage Beach Cushion Double Black Piping	Ebony-C-I	75 lbs	34"	36"	38"
Swivel Glider Chair Collage Beach Cushion Double Black Piping	Ebony-SGC-I	95 lbs	33"	34"	38"
Loveseat Collage Beach Cushion Double Black Piping	Ebony-L-I	100 lbs	56"	36"	38"
Coffee Table w/Beveled Glass Top Collage Beach Cushion Double Black Piping	Ebony-CT	55 lbs	40"	25"	18"
End table w/Beveled Glass Top Collage Beach Cushion Double Black Piping	Ebony-ET	40 lbs	23"	23"	22"
Ottoman Collage Beach Cushion Double Black Piping	Ebony-O	29 lbs	30"	20"	16"
Chair & Half Collage Beach Cushion Double Black Piping	Ebony-DC	90 lbs	48"	31"	38"
High Back Rocker Collage Beach Cushion Double Black Piping	Ebony-R	55 lbs	30"	28"	42"
Accent Pillow w/Black Piping	Ebony-P	1 lbs	NA	NA	NA
Single Glider Collage Beach Cushion Double Black Piping	Ebony-G-I	92 lbs	33"	36"	38"
Double Ottoman Collage Beach Cushion Double Black Piping	Ebony-DO-I	40 lbs	42"	20"	19"

Ebony & Ivory Collection of wicker furniture is a complete set of chairs, tables, ottoman and loveseat that you can mix & match.

NOTE: Printing color may vary slightly from actual product.



Wicker Loveseat

Sit back and relax in comfort on your beautiful outdoor wicker today.



grill series

ELECTRIC COOK NUMBER GRILLS

Choose from 3 fabulous finishes to fit any space!

From backyards to balconies—RVs to boat docks— just plug it in and our patented technology produces all the heat you need to grill, sear, roast or bake. Mini-size. Mega performance. Pays for itself —fast! Your high-efficiency Electric Cook Number Grill costs only 10¢ an hour to use. Compare that to as much \$1.50 an hour for ordinary 30,000 BTU gas grills. Or up to \$3 for 60,000 BTU grills! Comes in stainless steel, black porcelain or charcoal grey. If you grill just 4 hours a week, the savings add up—fast!

Cook Number Grill Features

- Quickly reaches temperatures up to 500F for searing (7-12 minutes)
- Exclusive Cook Number system tells you when your food is perfectly done
- Portable and lightweight. Just 18" x 20" and only 36 lbs.
- Safe to use inside or out (venting hood needed for indoors)
- Regular 110 volts – just plug it in
- Grease drawer and aluminum tray slide out for easy cleaning
- 250 square inch cooking surface
- Optional grill carts available
- Lifetime warranty on stainless steel



Stainless Steel - LG20/e
Comes with searing temperature control knob.



Black Porcelain -JAG20e
Comes with searing temperature control knob.



Charcoal Grey-CNE20
Searing set to one temperature only.

Choose from stainless steel, black porcelain or charcoal grey.

NOTE: Printing color may vary slightly from actual product.

Cook Number Grill Specifications

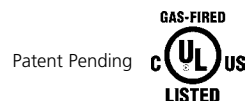
GRILL MODEL	HEIGHT	WIDTH	DEPTH	WEIGHT	WATTS	AMPS
LG20/e Electric Cook Number Grill	9"	21"	19"	36 lbs	1200	15
JAG20 Electric Cook Number Grill	9"	21"	19"	36 lbs	1200	15
CNE20 Electric Cook Number Grill	9"	21"	19"	36 lbs	1200	15



Dimensions above are in inches. Reference dimensions only. We recommend measuring individual units at installation. Refer to installation manual for detailed specifications on installing this product.

Green Grilling is Red-Hot! At a cost of just 10-15 cents per hour, this grill will conserve energy but still cooks powerfully, delivering fabulous results.

Long Island Pool & Patio
543 Middle Country Road Coram, NY 11727
631-698-4100 phone 631-698-4111 fax
info@LIPoolandPatio.com www.LIPoolandPatio.com



HEATER SERIES

ELECTRIC INFRARED HEATER

Keep warm & cozy in the great outdoors!

The Fire Stone Electric Infrared Heater is the perfect solution for taking the chill out of outdoor entertaining. With no warm-up time needed, the infrared heater provides heat instantly. The heater is weatherproof and fully approved for outdoor use. Perfect for decks, porches, patios and pergolas...or any outdoor setting you have!

Electric Infrared Heater Features

- Instant outdoor heat for patio areas
- Directional radiant heat
- Weatherproof-water snow and dust resistant construction
- Toughened surround for outdoor use
- Wall, pergola and gazebo mounting maximizes patio space
- Easy to install, plugs into a standard outlet
- Adjustable universal steel mounting bracket included
- Safe for children, pets and the environment
- Minimum mounting height from floor: 8'2"
- Safe and effective heat distribution
- Easy to operate with low maintenance
- Effective heat area – 100 square feet
- Low running cost – averages 10-15 cents per hour



NOTE: Printing color may vary slightly from actual product.

- No warm up time
- Reliable heat that will not blow away or fail to start
- Silent and odorless with no products of combustion
- Clean operation with no air circulation to stir and deposit dust
- 10' x 10' Effective Heat Zone
- Bulb life estimate at 5,000 hours

Electric Infrared Heater Specifications

MODEL	HEIGHT	WIDTH	DEPTH	WEIGHT	VOLTAGE	AMPERAGE	AMPERAGE DRAW
IRH1500	6"	18"	6"	12lbs.	120	1.4	13

*Plugs into a standard GFI plug
*Certified to cETLus and CE

Dimensions above are in inches. Reference dimensions only. We recommend measuring individual units at installation. Refer to installation manual for detailed specifications on installing this product.



Long Island Pool & Patio
543 Middle Country Road Coram, NY 11727
631-698-4100 phone 631-698-4111 fax
info@LIPoolandPatio.com www.LIPoolandPatio.com

The EZ Island Grill Island

Make a statement by making a beautiful outdoor grilling and food preparation center in no time at all with the Fire Stone EZ Island. It's quick, affordable and just plain EZ. Assembles in just 10 minutes. So, put it up and take it easy.



EZ Island Features

- Assembles in just 10 minutes.
- Danby Refrigerator
- Includes a Fire Stone PGE-24-S3 Grill Head
- 5 easy-to-assemble light-weight faux stone pieces (150 lbs total)
- Total assembled weight of 475 lbs
- Honeycomb aluminum-backed British Granite Top
- Stainless Steel tank Storage Door and Drawer

Cook Number Grill Features

- Cook number system cooks food precisely —automatically
- Ten precision settings let you grill, sear, roast and bake
- Exclusive shift searing system -shift down to sear meats like a fine restaurant. Shift up to grill, roast or bake
- One dial does it all - 1 burner, 1 valve, 1 ignitor
- Built-in temperature probe alerts you when food reaches desired temperature
- Exclusive Air Rotoisserie™ System - convection currents superheat the air - moving the heat, not the meat
- Convection technology - even heating - no hot and cold spots
- Restaurant quality 18-gauge 304 stainless steel

Model Numbers

EZ ISLAND INCLUDES	MODEL
Island Base w/British Granite Top	EZ-GR-K
24" Grill Head	PGE-24-S3
Grill Island Installation Kit	LGKIT-24A
Danby Refrigerator	DAR259BL

NOTE: Grills Islands come with options that can be purchased separately.

OPTIONS FOR EZ ISLAND	MODEL
Grill Head Cover	CVR24GH
Natural Gas Conversion Kit	NGK-L24

Cook Number Grills are made to withstand harsh outdoor conditions and last for years. Constructed with the finest materials and tested to ANSI Standards. Quality & Style—the Cook Number Grill has it all.



Gas Grill Patent # US 6.748.940



Long Island Pool & Patio
 543 Middle Country Road Coram, NY 11727
 631-698-4100 phone 631-698-4111 fax
 info@LIPoolandPatio.com www.LIPoolandPatio.com



FIRE STONE GAS FIRE 42

After sundown, your neighbors may have to head inside but with a flip of a switch, the Fire Stone Gas Fire will make you want to stay and see the moon rise. If the evening turns cool, a patented design lets heat radiate forward - not escape upward - to keep you and your guests cozy and comfortable. Built to stand up to the elements for years, your Fire Stone Gas Fire 42 will provide an elegant focal point for any outside living area - and an open invitation for family and friends to gather.



The Gas Fire 42 Features

- Intellifire™ electronic ignition system.
- Complete gas fireplace system - LP or natural.
- Smoke free - no messy ashes.
- Realistic concrete logs and herringbone refractory are completely weather-proof.
- Vents through decorative front grille - eliminating any need for a chimney.
- Standard glass doors provide added control in windy conditions.
- Natural Gas - 61,000 BTU/hr.; LP Gas - 52,000 BTU/hr.
- Patented technology - UL listed.
- Can be used on any flat surface such as a deck, concret, and brick pavers.
- 15 year warranty.

Gas Fire 42

MODEL	HEIGHT	WIDTH	DEPTH	WEIGHT
Gas42HLP/NG (framing dimensions using combustible materials w/ clearances)	43 3/4"	49"	24 1/8"	975 lbs (fully assembled)
Gas42LP/NG (framing dimensions using combustible material w/ no clearances)	37 3/8"	48 1/4"	23"	

Intellifire™ electronic ignition system wall switch attaches outside the fireplace on the right side of the fireplace surround.



Dimensions above are in inches. Reference dimensions only. We recommend measuring individual units at installation. Refer to installation manual for detailed specifications on installing this product.

US Patent # 6869278



Long Island Pool & Patio
 543 Middle Country Road Coram, NY 11727
 631-698-4100 phone 631-698-4111 fax
 info@LIPoolandPatio.com www.LIPoolandPatio.com





FIREPLACE INSERTS - SONOMA & SAN JUAN

Make building a custom fireplace simple

Finally, there is an efficient, effective, simple way to construct a custom fireplace! With the Sonoma & San Juan Fireplace Inserts you just need to frame around the pre-engineered fire boxes. You can make a stand-alone surround or build as part of the existing structure walls. The high-heat output will warm your Outdoor Room and make entertaining fun!

Fireplace Insert Features

- Glass fiber reinforced concrete construction provides durability for years to come
- Beige color finish
- Gas Log set is completely vent free and does not require a chimney
- Available in Propane (LP) or Natural Gas (NG)
- Log set comes with a wind resistant pilot light
- Easy Assembly (Less than one Hour) not including framing or finish
- 1 year warranty
- 20 Pound LP Tank will burn for approximately 8-11 hours



San Juan Insert with stacked stone finish.

Sonoma insert with stucco finish.

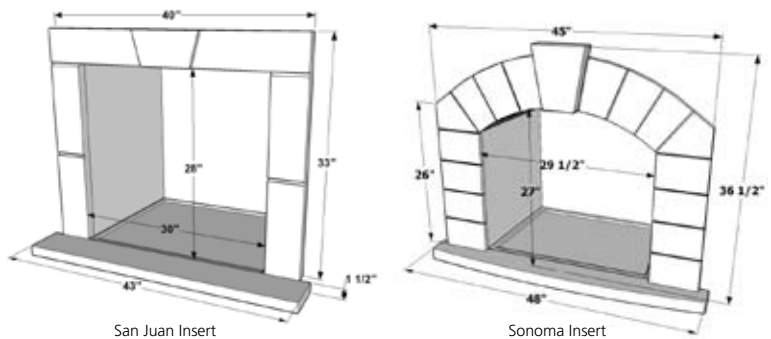
NOTE: Printing color may vary slightly from actual product.

- Arched or Straight Top Design to fit virtually every design style

Fireplace Insert Specifications

MODEL	HEIGHT	WIDTH	DEPTH	WEIGHT
SAN JUAN INSERT Surround Facing	33	40	24	150 lbs
SONOMA INSERT Surround Facing	36.5	45	24	150 lbs
CUT OUT OPENING For Framing	28	34	24	NA

NOTE: Above framing dimensions use non-combustible materials w/no clearances



Dimensions above are in inches. Reference dimensions only. We recommend measuring individual units at installation. Refer to installation manual for detailed specifications on installing this product.





INSPIRATION FIREPLACE

PATENT PENDING



Inspiration Fireplace

For every room—indoors & out.

Get inspired in every room of your home with the *Inspiration gel-fueled fireplace*. So simple to use and so easy to hang that you can now have the beauty and warmth of a fireplace, in any room of your house, indoors or out. Installs like a piece of art, in a matter of a matter of minutes. The beautiful, mesmerizing flames run on clean-burning gel fuel.

Long Island Pool & Patio
543 Middle Country Road Coram, NY 11727
631-698-4100 phone 631-698-4111 fax
info@LIPoolandPatio.com www.LIPoolandPatio.com





Inspiration Fireplace on outdoor patio.



Get inspired — the Inspiration will fit in any room of your home.
Long Island Pool & Patio
543 Middle Country Road Coram, NY 11727
631-698-4100 phone 631-698-4111 fax
info@LIPoolandPatio.com www.LIPoolandPatio.com

Instant Ambience!

Imagine having a beautiful fireplace set up in your home in minutes. There has never been an easier more affordable fireplace to hang in any room of your home—indoors or outdoors. Now, you really can “Take it with you”.



Get

Inspired

The Inspiration Fireplace is like no other fireplace you've seen. It is the **first ever UL listed gel-fueled fireplace** and is also one of the most economical fireplaces on the market today.

This versatile, easy-to-use fireplace can be installed anywhere you want – indoors or out. In just a matter of minutes, you will have a beautiful, dancing flame and a warm, cozy fire to enjoy.

Get inspired today with the Inspiration Fireplace.

Choose from 3 beautiful finishes.



Brown Sedona, INSP-SED



Black Silver Vein, INSP-SV



Stainless Steel, INSP-SS

NOTE: Printing color may vary slightly from actual product.

Clean-burning Gel Fuel



The *Inspiration Fireplace* runs on a 13oz can of UL listed *Venturi Gel Fuel*. It is an all natural, gelled alcohol that is 100% efficient and ecologically sound. It doesn't leave any soot, smoke or ashes behind so there's no messy clean up.

Lighting the Inspiration gel-fueled fireplace



1 Place thumbs on sides and apply pressure to pull open drawer.



2 Tear off gel fuel label, pop open lid, place in drawer and light with a match or lighter.



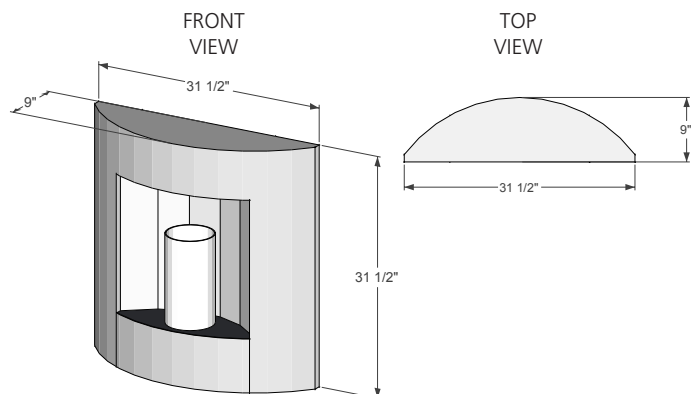
3 Wait 10 seconds for flames to rise, close drawer slowly.

Long Island Pool & Patio
543 Middle Country Road Coram, NY 11727
631-698-4100 phone 631-698-4111 fax
info@LIPoolandPatio.com www.LIPoolandPatio.com



Inspiration Fireplace Specifications

MODEL	HEIGHT	WIDTH	DEPTH	WEIGHT
INSP-SED	31-1/2	31-1/2	9	31 lbs
INSP-SV	31-1/2	31-1/2	9	31 lbs
INSP-SS	31-1/2	31-1/2	9	31 lbs



Dimensions above are in inches. Reference dimensions only. We recommend measuring individual units at installation. Refer to installation manual for detailed specifications on installing this product.



Inspiration Fireplace in alcove.

Inspiration Fireplace Features

- Constructed from solid aluminum and stainless steel
- Corrosion resistant—good indoors and outdoors
- Brushed Stainless Steel or durable powder coated brown Sedona or black Silver Vein finishes
- Easy to install and weather resistant
- Stainless Steel Wall Anchor Kit
- Operates on Venturi Flame Gel Fuel
- Stainless Steel Gel Can Opener, Flame Snuffer, Gel Fuel Stirring Tool
- 4 lb Bag of Clear, Diamond – Glass Fire Crystals
- Simple, Safe and UL listed

Glass Fire Crystals



These highly reflective *Liqui-Crystals* light up the firebox and provide a very unique and active ember-like bed.

All Inspiration fireplaces come standard with Diamond **Glass Fire Crystals**.

Optional colors available for purchase: Ruby, Aqua Marine, Topaz and Onyx

What is Gel Fuel?



Gel fuel is an environmentally friendly, non-toxic fuel that is safe to burn indoors or out. Gel fuel crackles just like a real fire! Each can burns up to 80 minutes and provides up to 9,000 BTUs of heat.

Gel fuel is available through your local dealer or at outdoorrooms.com



Long Island Pool & Patio

545 Middle Country Road Coram, NY 11727

631-698-4100 phone 631-698-4111 fax

info@LIPoolandPatio.com www.LIPoolandPatio.com



FURNITURE SERIES

KATE COLLECTION

Relax in comfort and style

Enjoy entertaining in style and comfort with our beautiful collection of high-quality wicker furniture. Made with the finest materials, Kate's Collection is created to both look fabulous and withstand harsh outdoor weather. Add style and comfort to your outdoor living room today.



Full Set show with Batik Palm fabric (above). Chairs here shown with Espresso fabric (bottom)

NOTE: Printing color may vary slightly from actual product.

Kate Collection

MODEL	Model #	WEIGHT	WIDTH	DEPTH	HEIGHT
KATE Loveseat w/4pcs Cushion 7 thickness	GT567L	100 lbs	56"	36"	38"
KATE chair w/2pcs Cushion	GT567C	75 lbs	34"	36"	38"
KATE coffee table w/Glass Top	GT567CT	55 lbs	40"	25"	18"
KATE coffee table w/Smooth Stone Top	GT567CT-ST	55 lbs	40"	25"	18"
KATE Single Glider w/2 pcs Cushion & Batik Palm Fabric	GT567-G1	92 lbs	33"	36"	38"
KATE Double Glider w/4 Cushions	GT567-G2	100 lbs	56"	36"	38"
KATE Ottoman w/1 pcs Cushion & Batik Palm Fabric	GT567O	29 lbs	30"	20"	16"
KATE End Table w/Glass Top	GT567ET	8 lbs	23"	23"	22"
KATE End Table w/Stone Top	GT567ET-ST	8 lbs	23"	23"	22"

Wicker Loveseat

Sit back and relax in comfort on your beautiful outdoor wicker today.





THE COOK NUMBER LEGACY GAS GRILLS

Two beautiful finishes in 24" and 36" widths

Convection efficiency lets one burner cook like five. 1 valve. 1 ignitor. 1/5 the problems of expensive 5-burner grills. Cook Number technology lets you cook like a pro. A built-in probe and 10 precision setting make it easy. Like your steak medium rare? You're a 3. Well done? You're a 7. It's just that simple. And always perfect. Now comes in durable stainless steel and black porcelain finishes.

Cook Number Portable Gas Grill Features

- Cook Number System™ cooks food precisely -automatically
- Ten precision settings let you grill, sear, roast and bake anything perfectly.
- Exclusive shift searing system -shift down to sear meats like a fine restaurant. Shift up to grill, roast or bake
- One dial does it all - 1 burner, 1 valve, 1 ignitor
- Built-in temperature probe beeps when food reaches desired temperature
- Exclusive Air Rotoisserie™ System - convection currents superheat the air - moving the heat, not the meat
- Double-walled hood come with stainless steel grills
- Even Heat™ Convection technology means even heating - no hot and cold spots
- Restaurant quality 18-gauge 304 stainless steel
- Available in 36" or 24" models
- 24" grill = 625 Sq. inch cooking surface including warming rack
- 36" grill = 930 Sq. inch cooking surface including warming rack
- Optional Sideburner is 15,000 BTUs and 75 Square Inches



Black Porcelain—JAG36C



Stainless Steel—LG36C

NOTE: Printing color may vary slightly from actual product.

Cook Number Grill Specifications

GRILL MODEL	HEIGHT	WIDTH	DEPTH	WEIGHT
LG24C Fire Stone Cook Number™ 24C Built-in framing dimensions (non-combustibles)	51" 13.5"	61" 25.25"	28" 22.5"	202 lbs
LG36C Fire Stone Cook Number™ 36C Built-in framing dimensions (non-combustibles)	51" 13.5"	72" 36.5"	28" 22.5"	255 lbs

Cook Number Grills are made to withstand harsh outdoor conditions and last for years. Constructed with the finest materials and tested to ANSI Standards. Quality & Style—the Cook Number Grill has it all.



Green Grilling is Red-Hot! At a cost of just 10-15 cents per hour, this grill will conserve energy but still cooks powerfully, delivering fabulous results.



Long Island Pool & Patio
543 Middle Country Road Coram, NY 11727
631-698-4100 phone 631-698-4111 fax
info@LIPoolandPatio.com www.LIPoolandPatio.com



WHEN IT GETS DARK, TURN ON THE CHARM

LEGACY LANTERN

Now you can have romantic, flickering ambience at the flip of a switch. The Fire Stone Legacy Lantern sets up in minutes because there's no expensive gas piping to install. A one-pound LP gas tank hidden in the base gives you the beauty and charm of real gas light for up to 18 hours. Innovative elegance - just what you'd expect from Fire Stone.



Legacy Lantern Features

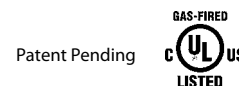
- Easy lighting with patented electric ignition
- Easy installation—sets up in minutes
- Burns up to 18 hours on a one-pound tanks
- UL listed. Safety tested for decks, carpeted patios—any surface.

Legacy Lantern Specifications

LIGHTING MODEL	CODE	WEIGHT
Legacy Lantern	LGL	28 lbs
Patio Table Adapter for Gas Lantern	LGL-PTA	15 lbs
Deck Floor Adaptor for Gas Lantern	LGL-DA	21 lbs
Yard/Ground Adaptor for Gas Lantern	LGL-GA	30 lbs



Legacy Lanterns light up any evening and add beauty and elegance to your outdoor setting.



ROMANTIC AMBIENCE AT THE FLIP OF A SWITCH

FRENCH COLONIAL LANTERN

Our free-standing, classic lamp post provides romantic ambience at the flip of a switch. Feel like you're strolling down the streets of Paris or sitting in a charming bistro basking in the soft glow of this classic lantern.



French Colonial Lantern Features

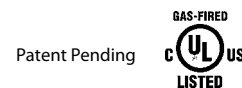
- Burns over 15 hours on a one-pound LP tank (not included)
- Portable beauty - move it anywhere
- Wind-proof weighted base
- Patented electronic ignition - no matches or pilot (2-D Batteries - not included)
- Classic beveled, tempered glass
- Vented for clean-burning flame
- Rust-free, aluminum for years of performance
- UL listed. Safety tested for any surface
- Antique bronze finish
- Some assembly required
- Optional mounting brackets

French Colonial Lantern Specifications

LIGHTING MODEL	CODE	WEIGHT	HEIGHT	WIDTH
French Colonial Lantern	LGL-FC	49 lbs	90"	16" base



French Colonial Lanterns add beauty and charm to your outdoor living room.



CAMPFIRE SERIES

NAPLES COFFEE TABLE

Brings new meaning to the word fireplace

A beautiful table to sit around with your family and friends and enjoy your outdoor living space. Both versatile and stylish, it is a table and fireplace all wrapped into one very attractive piece of furniture. Designed for the ultimate in form and function, this coffee table is a must for any Outdoor GreatRoom®.

Naples Coffee Table Features

- Outdoor Rated Resin Wicker with Aluminum Frame that won't rust or corrode
- Black glass fire pit cover for table when fire pit not in use
- Black glass top easily cleaned. Comes with Cover for Crystal Fire when not in use
- LP Tank stores under the table. No unsightly hoses or valves
- Can operate on LP or NG (conversion kit available)
- Great as a Coffee Table or Outdoor Fireplace...your choice
- 1 year warranty on wicker and frame
- 1 year warranty on Crystal Fire



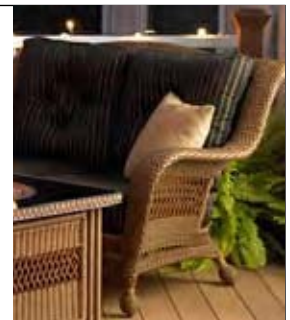
NOTE: Printing color may vary slightly from actual product.

Naples Coffee Table

DESCRIPTION	MODEL #	HEIGHT	WIDTH	DEPTH	WEIGHT
Naples Coffee table	NAPLES-CT	21.7"	48"	35.5"	55 LBS
Optional Ice Bucket for Table Center	CFP42-K5				

Resin Wicker

Looks authentic but can withstand harsh weather conditions. Choose from many furniture pieces to complete your outdoor furniture set.



The Oasis Island

Combine gracious outdoor grilling with spacious pub height dining. Equipped with a relaxing tile footrest - you can see why the Oasis will be a popular place for friends and family to gather around. Just fire up the Legacy 24i Cook Number Grill, turn up the music and you've got the perfect island getaway.



*Grill head not shown

The Oasis Island Features

- Counter height of 38" & bar height of 43"
- Depth of island is 48" & overall width is 96"
- Standard finishes as shown with stucco sides and 12 x 12 tile the top surfaces.
- 18" stainless steel double door hides LP tank and provides ample storage.
- Two stainless steel drawers.
- Chill and Tap Keg cooler with auto defrost.
- Cocktail Center includes stainless steel, double-walled ice chest, bottle opener, bar towel rack, built-in sink and built-in water filter.
- Umbrella-ready with cut-out and stainless steel sleeve.
- Six stucco colors and ten tile styles to choose from.
- Cook Number Grill (24i or 36i), refrigerator, sound system, - all totally optional.

Cook Number Grill Specifications

GRILL MODEL	HEIGHT	WIDTH	DEPTH	WEIGHT
LG24i Fire Stone Cook Number™ 24i Framing dimensions (non-combustibles)	18" 7"	24" 26"	27" 23"	100 lbs
LG36i Fire Stone Cook Number™ 36i Framing dimensions (non-combustibles)	18" 7"	36" 37"	23" 23"	150 lbs

Cook Number Grills are made to withstand harsh outdoor conditions and last for years. Constructed with the finest materials and tested to ANSI Standards. Quality & Style—the Cook Number Grill has it all.



Dimensions above are in inches. Reference dimensions only. We recommend measuring individual units at installation. Refer to installation manual for detailed specifications on installing this product.

Grill Patent # US 6.748.940



Long Island Pool & Patio
543 Middle Country Road Coram, NY 11727
631-698-4100 phone 631-698-4111 fax
info@LIPoolandPatio.com www.LIPoolandPatio.com



PATIO GOURMET SERIES III GAS GRILLS

One gas control - one cooking control - that's it!

Convection efficiency lets one burner cook like five. 1 valve. 1 ignitor. 1/5 the problems of expensive 5-burner grills. Cook Number technology lets you cook like a pro. A built-in probe and 10 precision settings make it easy. Like your steak medium rare? You're a 3. Well done? You're a 7. It's just that simple. And always perfect.



Patio Gourmet Grill in a St. Martin Grill Island.

NOTE: Printing color may vary slightly from actual product.

Cook Number Grill Features

- Cook number system cooks food precisely -automatically.
- Ten precision settings let you grill, sear, roast and bake anything perfectly.
- Exclusive shift searing system -shift down to sear meats like a fine restaurant. Shift up to grill, roast or bake.
- One dial does it all - 1 burner, 1 valve, 1 ignitor.
- Built-in temperature probe beeps when food reaches desired temperature.
- Exclusive Air Rotoisserie™ System - convection currents superheat the air - moving the heat, not the meat.
- Double-walled stainless steel on hood.
- Convection technology means even heating - no hot and cold spots.
- Restaurant quality 18-gauge 304 stainless steel.
- Grill fits in Standard and Custom Grill Islands.

Cook Number Grill Specifications

GRILL MODEL	HEIGHT	WIDTH	DEPTH	WEIGHT
PGE-24-S3 Framing dimensions (non-combustibles)	18" 10.625"	24" 24.5"	27" 22.625"	100 lbs

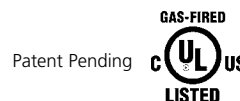
Cook Number Grills are made to withstand harsh outdoor conditions and last for years. Constructed with the finest materials and tested to ANSI Standards. Quality & Style—the Cook Number Grill has it all.



Green Grilling is Red-Hot! At a cost of just 10-15 cents per hour, this grill will conserve energy but still cooks powerfully, delivering fabulous results.



Long Island Pool & Patio
543 Middle Country Road Coram, NY 11727
631-698-4100 phone 631-698-4111 fax
info@LIPoolandPatio.com www.LIPoolandPatio.com



The Rock N Roll Island

Our little island on wheels. Ideal for smaller decks or patios. You can bring your outdoor kitchen with you virtually anywhere! It comes with a Legacy 24i Cook Number Grill and a Danby refrigerator.



Rock N Roll Island Features

- Counter height of 36"
- Depth of island is 19" & overall width is 59"
- Danby refrigerator.
- English Granite top.
- Dora Finish.
- Eucalyptus Double Doors for storage (Optional glass doors available).
- Four heavy-duty cast iron wheels.
- Fire Stone Legacy™ 24i Cook Number Grill.

Cook Number Grill Features

- Cook number system cooks food precisely —automatically.
- Ten precision settings let you grill, sear, roast and bake.
- Exclusive shift searing system -shift down to sear meats like a fine restaurant. Shift up to grill, roast or bake.
- One dial does it all - 1 burner, 1 valve, 1 ignitor.
- Built-in temperature probe alerts you when food reaches desired temperature.
- Exclusive Air Rotoisserie™ System - convection currents superheat the air - moving the heat, not the meat.
- Convection technology - even heating - no hot and cold spots.
- Restaurant quality 18-gauge 304 stainless steel.

Cook Number Grill Specifications

GRILL MODEL	HEIGHT	WIDTH	DEPTH	WEIGHT
LG24i Fire Stone Cook Number™ 24i Framing dimensions (non-combustibles)	18" 7"	24" 26"	27" 23"	100 lbs

Cook Number Grills are made to withstand harsh outdoor conditions and last for years. Constructed with the finest materials and tested to ANSI Standards. Quality & Style—the Cook Number Grill has it all.



Dimensions above are in inches. Reference dimensions only. We recommend measuring individual units at installation. Refer to installation manual for detailed specifications on installing this product.

Grill Patent # US 6.748.940



Long Island Pool & Patio
543 Middle Country Road Coram, NY 11727
631-698-4100 phone 631-698-4111 fax
info@LIPoolandPatio.com www.LIPoolandPatio.com



SAN JUAN FIREPLACE

Make your backyard an unforgettable place to relax

Bring a feeling of warmth to your backyard! With a unique arch design, the San Juan Fireplace is a beautiful addition to your *Outdoor GreatRoom™*. The high-heat output will warm you and your guests so everyone can enjoy those cool nights. You won't believe how quickly you can transform your backyard into a wonderful sanctuary for family and friends.



NOTE: Printing color may vary slightly from actual product.

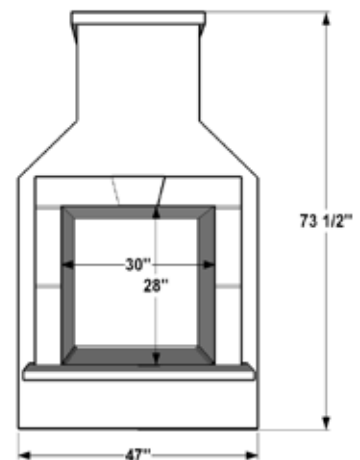
The San Juan Features

- Galvanized frame system with Hardibacker board and exterior stucco finish
- Glass fiber reinforced concrete mantel and top cap
- Gas log set is completely vent free and does not require a chimney
- Log set comes with a wind resistant pilot light
- Fire burns over 8 hours with a 20-pound tank
- Can be used on any flat surface, such as deck, concrete and brick pavers
- Stucco can be painted (but not the GFRC pieces)
- Easy 1-hour assembly
- 1 year warranty

San Juan Specifications

MODEL	HEIGHT	WIDTH	DEPTH	WEIGHT
SANJUANFP-LP	72"	48"	28"	400 lbs
SANJUANFP-NG	72"	48"	28"	400 lbs

* Available in Ameri-stone or grey stucco finish



Dimensions above are in inches. Reference dimensions only. We recommend measuring individual units at installation. Refer to installation manual for detailed specifications on installing this product.



Long Island Pool & Patio
543 Middle Country Road Coram, NY 11727
631-698-4100 phone 631-698-4111 fax
info@LIPoolandPatio.com www.LIPoolandPatio.com

CAMPFIRE SERIES

SANTA FE 36

Grab your bag of marshmallows and start toasting!

It's the next best thing to a traditional campfire – without the smoke and sparks. The Santa Fe 36 brings wilderness romance to any part of your deck or yard. Just light it, dim the patio lights and start making memories under the stars.

Santa Fe 36 Features

- 70,000 BTU heat output
- Conversion kit for natural gas included
- Lightweight but high strength construction
- Protective cover
- UL listed
- Long life stainless steel burner
- Easy installation and set up
- Natural beauty of stone without the weight
- Works with liquid propane or natural gas
- 1 year warranty



Easy operation with accessible and simple controls.

NOTE: Printing color may vary slightly from actual product.

Santa Fe 36 Specifications

DESCRIPTION	MODEL	HEIGHT	DIAMETER	WEIGHT
Tan cast concrete firepit with realistic lava rock and log finish	SANTAFE36	20"	36"	99 lbs

Dimensions above are in inches. Reference dimensions only. We recommend measuring individual units at installation. Refer to installation manual for detailed specifications on installing this product.



Long Island Pool & Patio
543 Middle Country Road Coram, NY 11727
631-698-4100 phone 631-698-4111 fax
info@LIPoolandPatio.com www.LIPoolandPatio.com



CAMPFIRE SERIES

SIERRA FIRE PIT

A beautiful place to gather around the fire

The Sierra Firepit offers rugged charm and sophisticated technology. It is constructed of faux Stack Stone, which gives a realistic stone finish, plus a Super Cast Top and corner pieces. The final result is a beautiful, functional gathering place for family and friends that you will enjoy for years to come.



NOTE: Printing color may vary slightly from actual product.

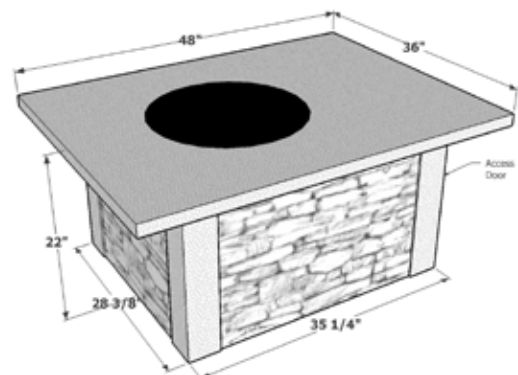
Sierra Firepit Features

- Faux Stack Stone
- Realistic look – Outdoor Proven
- Super Cast Top and corners
- Optional Super Cast cover for crystal fire pit
- FDA approved top seal for easy spill clean up
- LP tank stored inside surround
- Crystal Fire produces 60,000 BTUs
- Option to replace burning unit with ice bucket
- Easy operation with side-mounted ignition and gas on/off valve
- Available in LP or NG fuels
- 1 year warranty

Sierra Fire Pit Specifications

DESCRIPTION	MODEL	HEIGHT	WIDTH	DEPTH	WEIGHT
Sierra Fire Pit with ledger stone and supercast top (need CF-20-LP to complete)	SIERRA-CF	22"	48"	36"	150 lbs
Cover for Crystal Fire Burner	SIERRA-CF COVER	23" Diameter			10 lbs

* See price list or website for all available surround options.



Dimensions above are in inches. Reference dimensions only. We recommend measuring individual units at installation. Refer to installation manual for detailed specifications on installing this product.



Long Island Pool & Patio
 543 Middle Country Road Coram, NY 11727
 631-698-4100 phone 631-698-4111 fax
 info@LIPoolandPatio.com www.LIPoolandPatio.com





SIERRA FIREPLACE

Bring a touch of rustic charm to your backyard

Stack stone look will fit rustic or contemporary designs and be a beautiful addition to your Outdoor GreatRoom®. The high-heat output will warm you and your guests so everyone can enjoy those cool nights. Make your backyard an unforgettable place to relax with our unique Sierra Fireplace.

The Sierra Features

- Galvanized frame system with Hardibacker board and exterior stucco finish
- Stack stone foam
- Glass fiber reinforced concrete firebox
- Gas log set is completely vent free and does not require a chimney
- Available in propane (LP) or natural gas (NG)
- Log set comes with a wind resistant pilot light
- Fire burns over 8 hours with a 20-pound tank



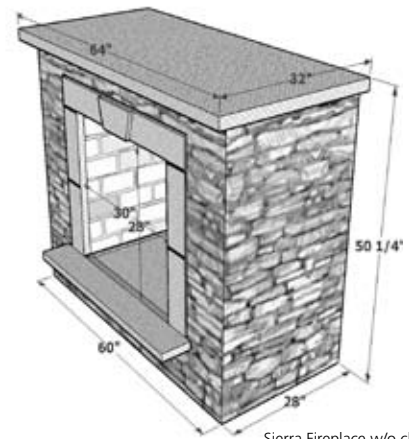
Shown with optional angled chase with water feature.

NOTE: Printing color may vary slightly from actual product.

- Can be used on any flat surface, such as a wooden deck, concrete and brick pavers
- Easy 1-hour assembly
- 1 year warranty

Sierra Fireplace

MODEL	HEIGHT	WIDTH	DEPTH	WEIGHT
SIERRA-42 LP/NG w/o chase	50.25"	64"	32"	400 lbs
SIERRA with optional chase	80.5"	64"	32"	500 lbs



Sierra Fireplace w/o chase

Dimensions above are in inches. Reference dimensions only. We recommend measuring individual units at installation. Refer to installation manual for detailed specifications on installing this product.



Long Island Pool & Patio
 543 Middle Country Road Coram, NY 11727
 631-698-4100 phone 631-698-4111 fax
 info@LIPoolandPatio.com www.LIPoolandPatio.com

ISLAND SERIES

SIERRA ISLAND

An island you'll want to stay on!

The Stack Stone gives a rugged and elegant appearance, while using both durable and weather-resistant materials. Entertaining is easy and enjoyable in your 'second' kitchen. The Sierra Island will be the center of your outdoor GreatRoom®.



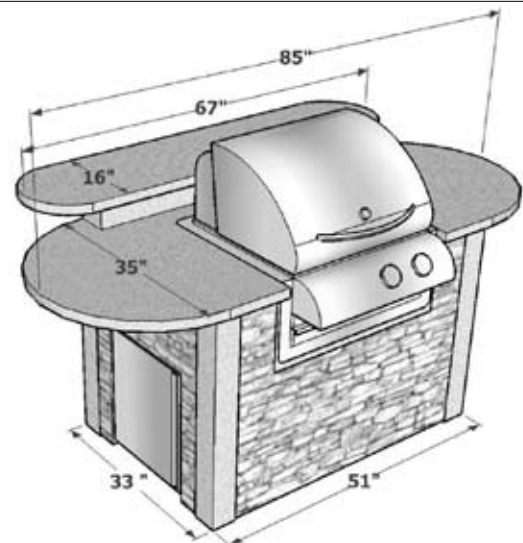
NOTE: Printing color may vary slightly from actual product.

Sierra Island Features

- Super Cast Top, Stone Finish, FDA Approval Sealed for fast and easy clean-up
- Optional built-in iPod player with and 4-speaker marine-grade sound system
- Fire Stone Legacy 24i Cook Number Grill. Convection technology - no hot or cold spots. Grill, Sear, Roast, and Bake
- 24" stainless steel door hides LP tank and provides ample storage

Sierra Island Specifications

MODEL	COUNTER HEIGHT	BAR HEIGHT	WIDTH	DEPTH (including back shelf)	NET WEIGHT	CUBIC FEET
Sierra Island	36"	42"	85"	43"	550 lbs	120



Dimensions above are in inches. Reference dimensions only. We recommend measuring individual units at installation. Refer to installation manual for detailed specifications on installing this product.

Patent Pending



Long Island Pool & Patio
543 Middle Country Road Coram, NY 11727
631-698-4100 phone 631-698-4111 fax
info@LIPoolandPatio.com www.LIPoolandPatio.com



SONOMA FIREPLACE

Bring a taste of the Southwest to your backyard

With a unique arch design, the Sonoma Fireplace is a beautiful addition to your outdoor GreatRoom™. The high-heat output will warm you and your guests so everyone can enjoy those cool nights. Make your backyard an unforgettable place to relax with our unique Sonoma Fireplace.



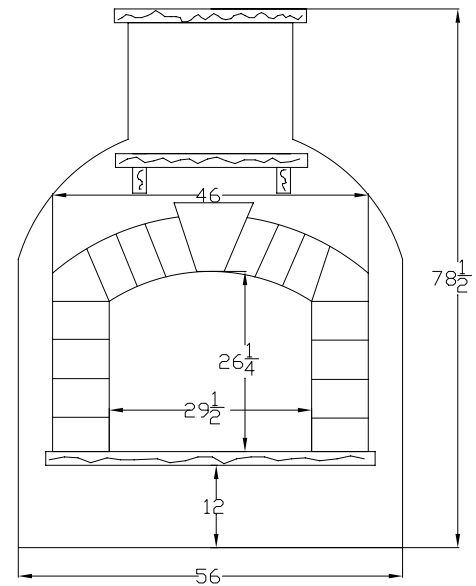
NOTE: Printing color may vary slightly from actual product.

Sonoma Fireplace Features

- Galvanized frame system with Hardibacker board and exterior stucco finish
- Available in Ameri-stone or grey stucco finish
- Glass fiber reinforced concrete mantel and top cap
- UL approved log set
- Gas log set is completely vent free and does not require a chimney
- Available in propane (LP) or natural gas (NG)
- Log set comes with a wind resistant pilot light
- Fire burns up to 8 hours with a 20-pound tank.
- Can be used on any flat surface, such as deck, concrete and brick pavers
- Stucco can be painted (but not the GFRC pieces)
- Easy 1-hour assembly
- 1 year warranty

Sonoma Fireplace

MODEL	HEIGHT	WIDTH	DEPTH	WEIGHT
SONFS42LP	78.5"	56"	28"	500 lbs
SONFS42NG	78.5"	56"	28"	500 lbs



Dimensions above are in inches. Reference dimensions only. We recommend measuring individual units at installation. Refer to installation manual for detailed specifications on installing this product.



Long Island Pool & Patio
543 Middle Country Road Coram, NY 11727
631-698-4100 phone 631-698-4111 fax
info@LIPoolandPatio.com www.LIPoolandPatio.com

The St. Paul & St. Paul2 Island

The beauty of natural rounded stone makes this one of the more unique islands in the Fire Stone "chain". The St. Paul gives you ample room to relax with friends and family. Add more cooking space with the St. Paul 2 which comes with a 36" grill head.



St. Paul Island Features

- Counter height of 37"
- Depth of island is 44" & overall width is 84"
- Finished with upgraded stucco.
- Unique rounded, pre-cut hand-laid grouted stone top.
- Fire Stone Legacy™ 24i or 36i Cook Number Grill.
- Optional radio and 2-speaker marine-grade sound system.
- 24" single stainless steel door.

Cook Number Grill Features

- Cook number system cooks food precisely —automatically.
- Ten precision settings let you grill, sear, roast and bake.
- Exclusive shift searing system -shift down to sear meats like a fine restaurant. Shift up to grill, roast or bake.
- One dial does it all - 1 burner, 1 valve, 1 ignitor.
- Built-in temperature probe alerts you when food reaches desired temperature.
- Exclusive Air Rotoisserie™ System - convection currents superheat the air - moving the heat, not the meat.
- Convection technology - even heating - no hot and cold spots.
- Restaurant quality 18-gauge 304 stainless steel.

Cook Number Grill Specifications

GRILL MODEL	HEIGHT	WIDTH	DEPTH	WEIGHT
LG24i Fire Stone Cook Number™ 24i Framing dimensions (non-combustibles)	18" 7"	24" 26"	27" 23"	100 lbs
LG36i Fire Stone Cook Number™ 36i Framing dimensions (non-combustibles)	18" 7"	36" 37"	23" 23"	150 lbs

Cook Number Grills are made to withstand harsh outdoor conditions and last for years. Constructed with the finest materials and tested to ANSI Standards. Quality & Style—the Cook Number Grill has it all.



Dimensions above are in inches. Reference dimensions only. We recommend measuring individual units at installation. Refer to installation manual for detailed specifications on installing this product.

Grill Patent # US 6.748.940



Long Island Pool & Patio
543 Middle Country Road Coram, NY 11727
631-698-4100 phone 631-698-4111 fax
info@LIPoolandPatio.com www.LIPoolandPatio.com

The St. Croix Island

Combine gracious outdoor grilling with spacious pub height dining. Equipped with a relaxing tile footrest - you can see why the St Croix will be a popular place for friends and family to gather around. Just fire up the Legacy 24i Cook Number Grill, turn up the music and you've got the perfect island getaway.



*Shown with upgraded 27" double-doors.

St. Croix Island Features

- Counter height of 36" & bar height of 42"
- Depth of island is 33" & overall width is 96" (shipped fully assembled).
- Standard finishes as shown with stucco sides and 12 x 12" porcelain tile on the top surfaces and footrest.
- Built-in CD player/Radio and 4-speaker marine-grade sound system.
- 24" stainless steel single door hides LP tank and provides ample storage.
- Fire Stone Legacy™ 24i Cook Number Grill. Convection Grilling - No hot or cold spots. Grill, Sear, Roast and Bake.
- Umbrella-ready with cut-out and stainless steel sleeve.
- Six stucco colors and ten tile styles to choose from.

Cook Number Grill Specifications

GRILL MODEL	HEIGHT	WIDTH	DEPTH	WEIGHT
LG24i Fire Stone Cook Number™ 24i Framing dimensions (non-combustibles)	18" 7"	24" 26"	27" 23"	100 lbs

Cook Number Grills are made to withstand harsh outdoor conditions and last for years. Constructed with the finest materials and tested to ANSI Standards. Quality & Style—the Cook Number Grill has it all.



Dimensions above are in inches. Reference dimensions only. We recommend measuring individual units at installation. Refer to installation manual for detailed specifications on installing this product.

Grill Patent # US 6.748.940



Long Island Pool & Patio
543 Middle Country Road Coram, NY 11727
631-698-4100 phone 631-698-4111 fax
info@LIPoolandPatio.com www.LIPoolandPatio.com



The St. John's Island

Life in the islands doesn't get any better than the Fire Stone St Johns. Complete with a Legacy 36i Cook Number Grill, you're looking at over 11 full feet of prime island real estate. This island retreat offers front row bar seating around the grill, plus pub seating for four more, island style - in the round. With a handy lazy susan in the center, just add an umbrella and you and your guests have it made in the shade.



St. John's Island Features

- Counter height of 36" & bar height of 42".
- Depth of island is 54" & overall width is 132" (shipped fully assembled).
- Standard finishes as shown with stucco sides and 12 x 12 tile on the top surfaces, decorative medallions and base.
- Built-in CD player/Radio and 4-speaker marine-grade sound system.
- Fire Stone Legacy™ 36i Cook Number Grill. Convection Cooking - No hot or cold spots. Grill, Sear, Roast and Bake.
- 24" stainless steel door hides LP tank and provides huge storage.
- Gas side burner and two drawers – all stainless steel.
- 4.4 Cubic Inch refrigerator.
- Optional lazy susan.
- Umbrella-ready with cut-out and stainless steel sleeve.
- Six stucco colors and ten tile styles to choose from.

Cook Number Grill Specifications

GRILL MODEL	HEIGHT	WIDTH	DEPTH	WEIGHT
LG24i Fire Stone Cook Number™ 24i Framing dimensions (non-combustibles)	18" 7"	24" 26"	27" 23"	100 lbs
LG36i Fire Stone Cook Number™ 36i Framing dimensions (non-combustibles)	18" 7"	36" 37"	23" 23"	150 lbs

Cook Number Grills are made to withstand harsh outdoor conditions and last for years. Constructed with the finest materials and tested to ANSI Standards. Quality & Style—the Cook Number Grill has it all.



Dimensions above are in inches. Reference dimensions only. We recommend measuring individual units at installation. Refer to installation manual for detailed specifications on installing this product.

Grill Patent # US 6.748.940



Long Island Pool & Patio
543 Middle Country Road Coram, NY 11727
631-698-4100 phone 631-698-4111 fax
info@LIPoolandPatio.com www.LIPoolandPatio.com

ISLAND SERIES

ST. MARTIN ISLAND

One island you'll never want to leave!

The elegant, indirect recessed lighting alone makes the St. Martin an island of romance. Shown finished in tumbled marble (optional upgrade) the St. Martin Island offers pub seating for up to 6 guests. Once they're seated, a 4-speaker sound system entertains them while you whip up something delicious on your amazing Cook Number Grill.



Shown with optional upgraded 36i cook number and tumbled marble counter-top.

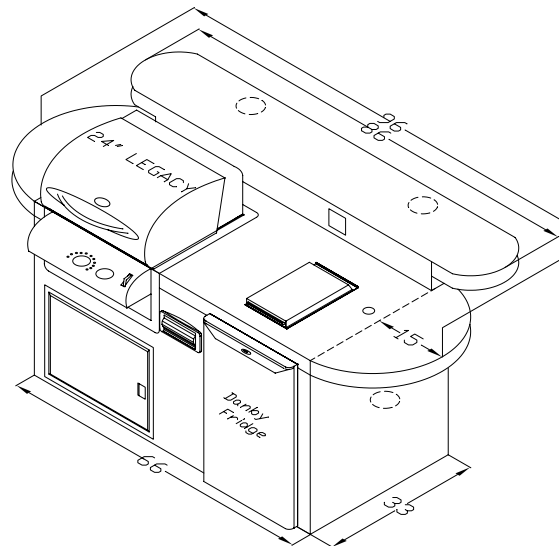
NOTE: Printing color may vary slightly from actual product.

St. Martin Island Features

- Standard finishes with stucco sides and 12" x 12" tile on the top surfaces
- Built-in CD player/Radio and 4-speaker marine-grade sound system
- Fire Stone Legacy 24i or 36i Cook Number Grill. Convection technology - no hot or cold spots. Grill, Sear, Roast, and Bake
- 4.4 Cubic Inch refrigerator
- Gas Side Burner (15,000 BTU)
- 24" stainless steel door hides LP tank and provides ample storage
- Recessed Lighting (3 lights)
- Umbrella-ready with cut-out and stainless steel sleeve
- Six stucco colors and ten tile styles to choose from
- 12" X 12" tumbled marble finish upgrade available

St. Martin Island Specifications

MODEL	COUNTER HEIGHT	BAR HEIGHT	WIDTH	DEPTH (including back shelf)	NET WEIGHT
St. Martin Island	38"	43"	96"	45"	450 lbs



Dimensions above are in inches. Reference dimensions only. We recommend measuring individual units at installation. Refer to installation manual for detailed specifications on installing this product.

Patent Pending



Long Island Pool & Patio
 543 Middle Country Road Coram, NY 11727
 631-698-4100 phone 631-698-4111 fax
 info@LIPoolandPatio.com www.LIPoolandPatio.com

The St. Vincent Island

This gorgeous island comes complete with a Legacy 24i Convection Grill for gourmet grilling and a gas side-burner for cooking up everything else for your outdoor feast. Plenty of table height seating gives four to six friends or family members room to eat, drink and be merry.



The St. Vincent Island Features

- Counter height of 36"
- Depth of island is 38" & overall width is 85"
- Built-in CD player/Radio and 2-speaker marine-grade sound system.
- Danby Glass Shelved stainless steel refrigerator.
- Stainless Steel Side Burner drop in.
- 24" single SS door.
- Fire Stone Legacy™ 24i Cook Number Grill.
- Shown with optional fiddle stick and toe kick

Cook Number Grill Features

- Cook number system cooks food precisely —automatically.
- Ten precision settings let you grill, sear, roast and bake.
- Exclusive shift searing system -shift down to sear meats like a fine restaurant. Shift up to grill, roast or bake.
- One dial does it all - 1 burner, 1 valve, 1 ignitor.
- Built-in temperature probe alerts you when food reaches desired temperature.
- Exclusive Air Rotoisserie™ System - convection currents superheat the air - moving the heat, not the meat.
- Convection technology - even heating - no hot and cold spots.

Cook Number Grill Specifications

GRILL MODEL	HEIGHT	WIDTH	DEPTH	WEIGHT
LG24i Fire Stone Cook Number™ 24i Framing dimensions (non-combustibles)	18" 7"	24" 26"	27" 23"	100 lbs
LG36i Fire Stone Cook Number™ 36i Framing dimensions (non-combustibles)	18" 7"	36" 37"	23" 23"	150 lbs

Cook Number Grills are made to withstand harsh outdoor conditions and last for years. Constructed with the finest materials and tested to ANSI Standards. Quality & Style—the Cook Number Grill has it all.



Dimensions above are in inches. Reference dimensions only. We recommend measuring individual units at installation. Refer to installation manual for detailed specifications on installing this product.

Grill Patent # US 6.748.940



Long Island Pool & Patio
543 Middle Country Road Coram, NY 11727
631-698-4100 phone 631-698-4111 fax
info@LIPoolandPatio.com www.LIPoolandPatio.com



CAMPFIRE SERIES

TRIPOD CAMPFIRE

A cozy fire to enjoy year round

Relax around the campfire with your family and friends while enjoying the great outdoors. Both portable and functional, the Tripod Campfire will enhance any outdoor living space. Comes with beautiful *Crystal Fire Center*. Designed for the ultimate in form and function, this campfire table is a must for any Outdoor GreatRoom®.

Tripod Campfire Features

- Outdoor Powder Coated Aluminum Frame that won't rust or corrode
- Crystal Fire - center burning unit
- Includes black glass campfire cover for table when fire pit not in use
- Black glass top easily cleaned.
- LP Tank stores in optional tank cover table
- Can operate on LP or NG (conversion kit available)
- 1 year warranty on frame
- 1 year warranty on Crystal Fire



NOTE: Printing color may vary slightly from actual product.

Tripod Campfire Specifications

DESCRIPTION	MODEL #	HEIGHT	WIDTH	DEPTH	WEIGHT
Tripod Campfire	CFT-POD-K	24"	25"	25"	28 LBS
LP/NG Crystal Fire, SS Fire Pit w/ tumbled glass and electronic piezo	CF-20-LP	6"	21"	21"	15 LBS
Optional Side Table/Tank Cover	CFP42-TC GLASS	21"	19"	19"	28 LBS
Optional Ice Bucket for Table Center	CFP42-K5	11"	22"	22"	3 LBS



Optional side table/tank cover



Long Island Pool & Patio
 543 Middle Country Road Coram, NY 11727
 631-698-4100 phone 631-698-4111 fax
 info@LIPoolandPatio.com www.LIPoolandPatio.com

FIRE STONE WOOD FIRE

Your proud of what you've done inside your home to make it a warm, inviting place for family and friends. Fire Stone will help you be just as proud of your living space outside. If you like the idea of gathering around a crackling blaze you built yourself, you'll love our Wood Fire 36 model or its somewhat larger cousin, the Wood Fire 42. Want the same ambiance at the touch of a finger? Each can be converted to gas by adding our outdoor gas log sets.



The Wood Fire Features

- Weather resistant stainless steel construction.
- Realistic herringbone brick refractory.
- Smoke free - no messy ashes.
- Optional bi-fold glass doors, stainless steel weather cover and UL gas logs.
- Gas access on both sides of fireplace.
- Patented technology - UL listed.
- 3 year structural/finish warranty.
- Firebox constructed with stainless steel

Wood Fire

MODEL	HEIGHT	WIDTH	DEPTH	WEIGHT
WOOD36H (w/ herringbone refractory)	42"	43"	24"	-
WOOD42H (w/ herringbone refractory)	42"	49"	24"	-

* Framing Dimensions - Using Combustible Materials w/ Clearances.

WOOD36H	39"	42"	23"	-
WOOD42H	39"	48"	23"	-

* Framing Dimensions - Using Non-Combustible Materials w/ No Clearances.

The firebox includes a stainless steel grate and mesh fire screen. Optional stainless steel chrome bi-fold doors are available.



Dimensions above are in inches. Reference dimensions only. We recommend measuring individual units at installation. Refer to installation manual for detailed specifications on installing this product.



Long Island Pool & Patio
 543 Middle Country Road Coram, NY 11727
 631-698-4100 phone 631-698-4111 fax
 info@LIPoolandPatio.com www.LIPoolandPatio.com